

PRAYOSHATM
AUTOMATION
Art Of Automation PRIVATE LIMITED



One Stop Solution



About Us

We have solution for every industries in Measuring Instruments, Automation and Calibration with excellent track record and best customer satisfaction. We have never compromise in proving best services to our precious customer. We believe in keeping the customer happy and providing them with product at a very competent price. Hope this is in-line with your requirements and look forward for your valuable enquiry earliest Kindly give us opportunity to serve you batter with price and services.

Our Vision / Our Mission

To be the leading provider of innovative automation solutions, revolutionizing industries and improving lives through cutting-edge technology and exceptional service.”

Our mission is to empower organizations worldwide with state-of-the-art automation solutions that enhance productivity, efficiency, and profitability. We strive to deliver comprehensive automation systems that optimize processes, reduce costs, and increase competitiveness for our clients. Through continuous innovation, unparalleled expertise, and a customer-centric approach, we aim to exceed expectations, foster long-term partnerships, and drive positive transformation in the world of automation.”

Our Time Line

2017

Prayosha Automation was formed by the founders with a vision to improve providing quality & efficient automation to the customers.

2020

Prayosha Automation from Proprietorship to PVT LTD was formed.

2023

We started manufacturing Visual inspection Booth, Process Equipments and Critical instrument calibration.

2024

Became an official dealer of JUMO GmbH, We also inaugurated a new office with a 30 + member strong engineering team to drive innovation and support.

Our Services

- ◆ Programmable Logic Controller (PLC)
- ◆ Human Machine Interface (HMI)
- ◆ SCADA
- ◆ IPC
- ◆ VFD- Variable Frequency Drive
- ◆ Servo Motor and Drive
- ◆ Critical Instrument Calibration
- ◆ Sensors & Transmitters
- ◆ 21 CFR Part 11 Based HMI/IPC/ SCADA Solutions
- ◆ Data Acquisition System
- ◆ BMS / EMS
- ◆ Visual Inspection Booth Solutions
- ◆ Process Equipment Automation & Manufacturing
- ◆ Automation Panel Manufacturing

PLC

Programmable Logic Controller



SIEMENS
Ingenuity for life

JUMO

 **MITSUBISHI
ELECTRIC**

HMI

Human Machine Interface

SIEMENS
Ingenuity for life

Beijer
ELECTRONICS

 **WEINTEK**



SCADA



SIEMENS
Ingenuity for life



JUMO smartWARE · SCADA



zenon
by COPA-DATA

IPC



SIEMENS
Ingenuity for life

VFD- Variable Frequency Drive



SIEMENS
Ingenuity for life

Danfoss

Servo Motor and Drive



SIEMENS
Ingenuity for life

OMRON

Sensors & Transmitters



JUMO is one of the leading manufacturers in the field of industrial sensor and automation technology. Our innovative product range includes the entire measuring chain from sensors to automation solutions for temperature, pressure, liquid analysis, flow rate, filling level and humidity.

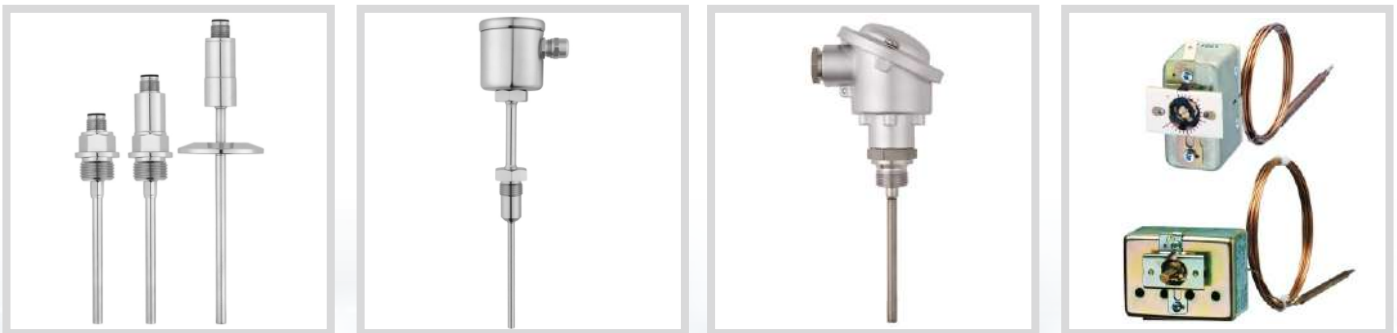
Pressure

Pressure Transmitter, Pressure Switches, Level Probes, Melt Transmitter, OEM Solutions, Pressure Separator, Accessories, Indicators, Controller



Temperature

RTD Temperature Probe, Platinum Temperature Sensors, Thermocouple, Test Equipment / Calibration Service, Transmitter, Controllers (Electronic), Controllers (Electromechanical), Thermostats/Switch, Monitor / Limiter, Indicators, Power Units, Wireless



Sensors



Automation



Controllers & Recorders



JUMO Engineering, the service division from JUMO GmbH & Co. KG, combines expertise and industry-specific experience in one team. Our engineers and technicians develop customized solutions that are strictly based on your specific requirements.

Liquid Analysis

pH, Conductivity, Dissolved Oxygen, Ozone, Peracetic Acid, Redox, Ultra-Pure Water, Hydrogen Peroxide, Ammonia, Chlorine, Chlorine Dioxide.



Control

1-Channel Controller, Multi-Channel Controller, Program Controller, Power Units, Surface-mounting Thermostats, Paperless Recorders, Room thermostats, Contact Dial Thermometer



Sensors



Automation



Machine Safety Products



Sensors & Transmitters



Critical Instrument Calibration

High vacuum calibration (Lyophilized Application)

- ◆ Range: Up to $10E-6$ mBar vacuum
- ◆ Accuracy: Better than 0.12% of reading
- ◆ Back Bone: Leybold make Calibration system
- ◆ Reference: Super accurate vacuum sensor from Leybold Germany.
- ◆ Calibration ports: 3 x DN 16 ISO-KF
- ◆ Gas inlet (manual): 5×10^{-6} - 1.000 mbar x l/s
- ◆ Power supply: 110 V / 230 V, $\pm 10\%$ (50/60 Hz)
- ◆ Pressure measurement range :
1.000 - 2×10^{-6} mbar
750 - $1,5 \times 10^{-6}$ Torr
- ◆ Easier DIN/ISO 9000 approval product.



Calibration

- ◆ High Vacuum transmitter calibration
- ◆ Calibrated leak / Master leak
- ◆ H₂O₂ gas calibration
- ◆ O₂, N₂ and other gases calibration
- ◆ Gas Flow Meter calibration
- ◆ Ultrasonic flow meter
- ◆ Dissolved Oxygen
- ◆ Chlorine sensor
- ◆ T+RH data logger
- ◆ Low temperature sensor bath calibration.
- ◆ PH sensor calibration 4,7,9 pH
- ◆ Conductivity sensor calibration 1.3, 84,100,500 uS/cm
- ◆ ORP sensor calibration 475 mV
- ◆ TDS meter



Projects

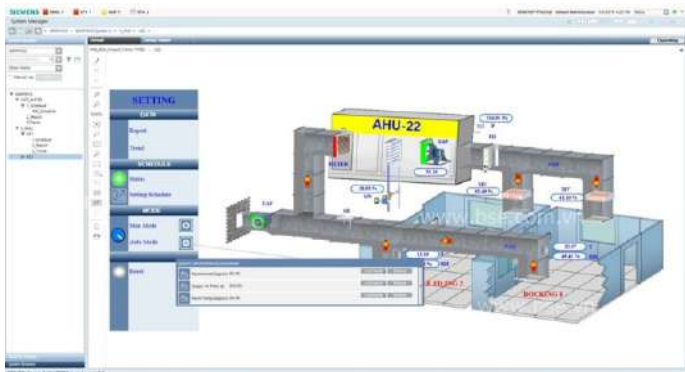
System Upgradation

- User Management
- Date Logging
- Date Backup & Restore
- Reports (Alarm, Audit, Batch with Settable Interval)
- Latest Hardware Configuration
- Settable Password Policies
- Settable User Roal

IPC/HMI based Solution



SCADA, HMI and 21 CFR part 11 based SCADA / HMI solution to upgrade the existing system. In-depth studt of existing systems and provide best solution to improve the performance of system. We provide complete up-gradation including hardware and software to make it better with minimum downtime.



We design BMS / EMS complying to 21 CFR part 11 & GAMP 5 and provide the following.

- ◆ Room data sheets
- ◆ Concept Note for BMS and EMS
- ◆ Design brief
- ◆ Basis of design & I/O Summary
- ◆ PID's showing control logics
- ◆ Development of layouts indicating locations
- ◆ Components specification data sheets
- ◆ BOQ with specifications for BMS & EMS
- ◆ Data logging
- ◆ Alarm management & escalation

Visual Inspection Booth Manual and semi-automated inspection solutions

Visual Inspection Booth with programmable Eye Rest Frequency Intimation System will be used to intimate the eye rest start time for the visual inspector during visual inspection activity.

Eye rest and Inspection Alert Intimation System provided with below mentioned requirement.

- ◆ System have audio visual alarm facility.
- ◆ System integrated with manual visual inspection booth light.
- ◆ Online lux measurement and control system.



Process Equipment Automation & Manufacturing

We provide complete support for selection, sourcing, installation & commissioning of Equipment. Solutions include Process engineering, Development of Process Flow Diagrams (PFDs), Documentation support, Qualification & Validation support.

Our Customer



AUTOMATION

- ◆ PLC
- ◆ HMI/IPC
- ◆ SCADA
- ◆ AC/DC Drives
- ◆ Servo Drives
- ◆ EMS / BMS
- ◆ Control Panel
- ◆ Programming
- ◆ Service Support

INSTRUMENTATION

- ◆ RTD
- ◆ Temperature
- ◆ Pressure
- ◆ Level
- ◆ Conductivity/pH
- ◆ Recorder
- ◆ Indicator/Controller
- ◆ Flow
- ◆ Cable & Connectors

OTHERS

- ◆ 21 CFR Part 11 Compliance System Upgradation
- ◆ Computer System Validation
- ◆ High Vacuum calibration
- ◆ Instrument calibration
- ◆ Visual inspection booth Automation
- ◆ Process Equipment Automation & Manufacturing
- ◆ Automation Panel Manufacturing

EXPERTISE



Pharmaceuticals



Chemical



Furnace



Food & Beverages



Oil & Gas



Tyre



PRAYOSHA AUTOMATION PRIVATE LIMITED

📍 **Regd. Office** : 328, Samanvay Sequence, Manjalpur, Vadodara - 390 011
Branch Office : HR-408, 409, Park Paradise, Vadsar, Kalali, Vadodara - 390 012

☎ +91 99982 46614 / 97261 40102

✉ sales@prayosha.net.in /
vikas@prayosha.net.in /
jaimin@prayosha.net.in



An ISO 9001:2015 certified

